

Fig. 1

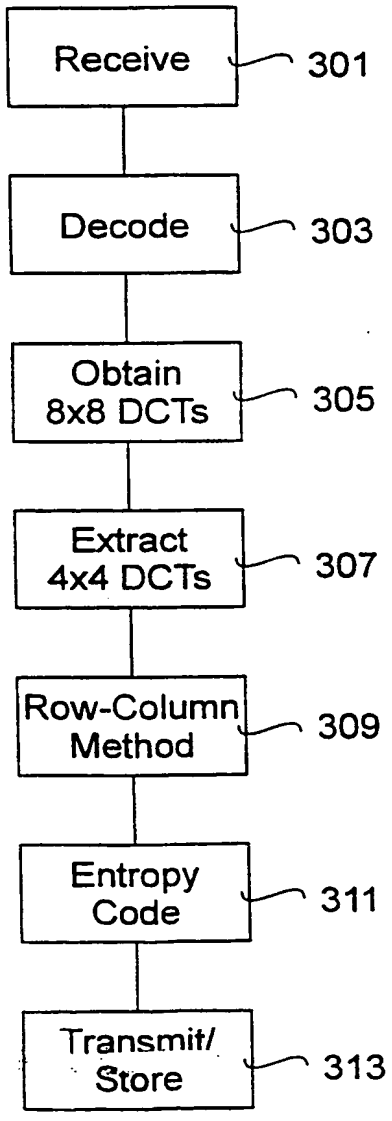


Fig. 3

62760-2416650

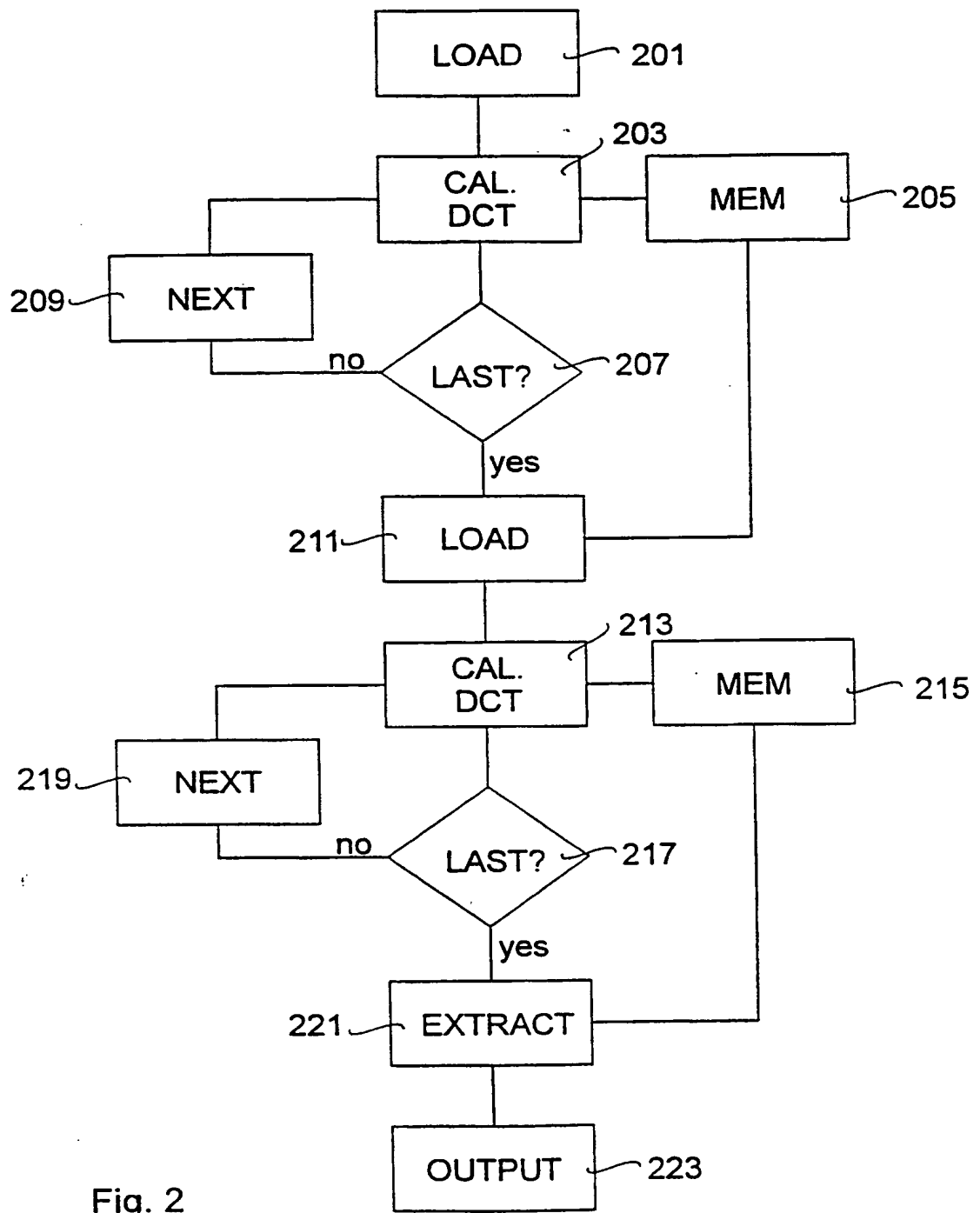


Fig. 2

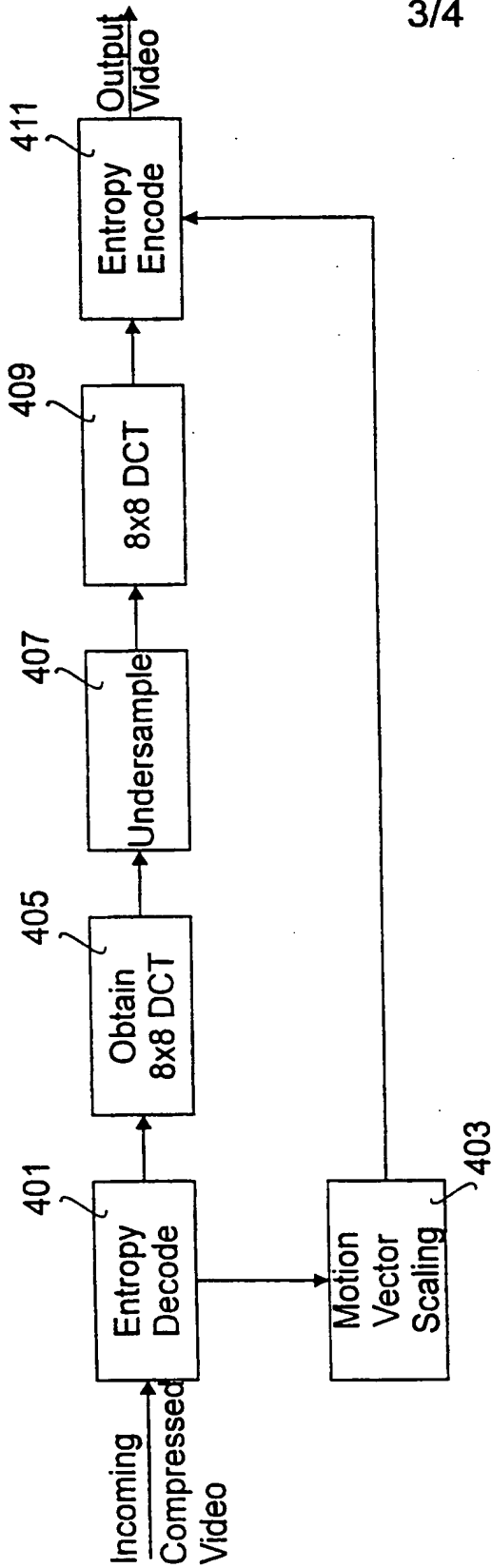


Fig. 4

66760-66760

OFFICE OF THE ATTORNEY GENERAL

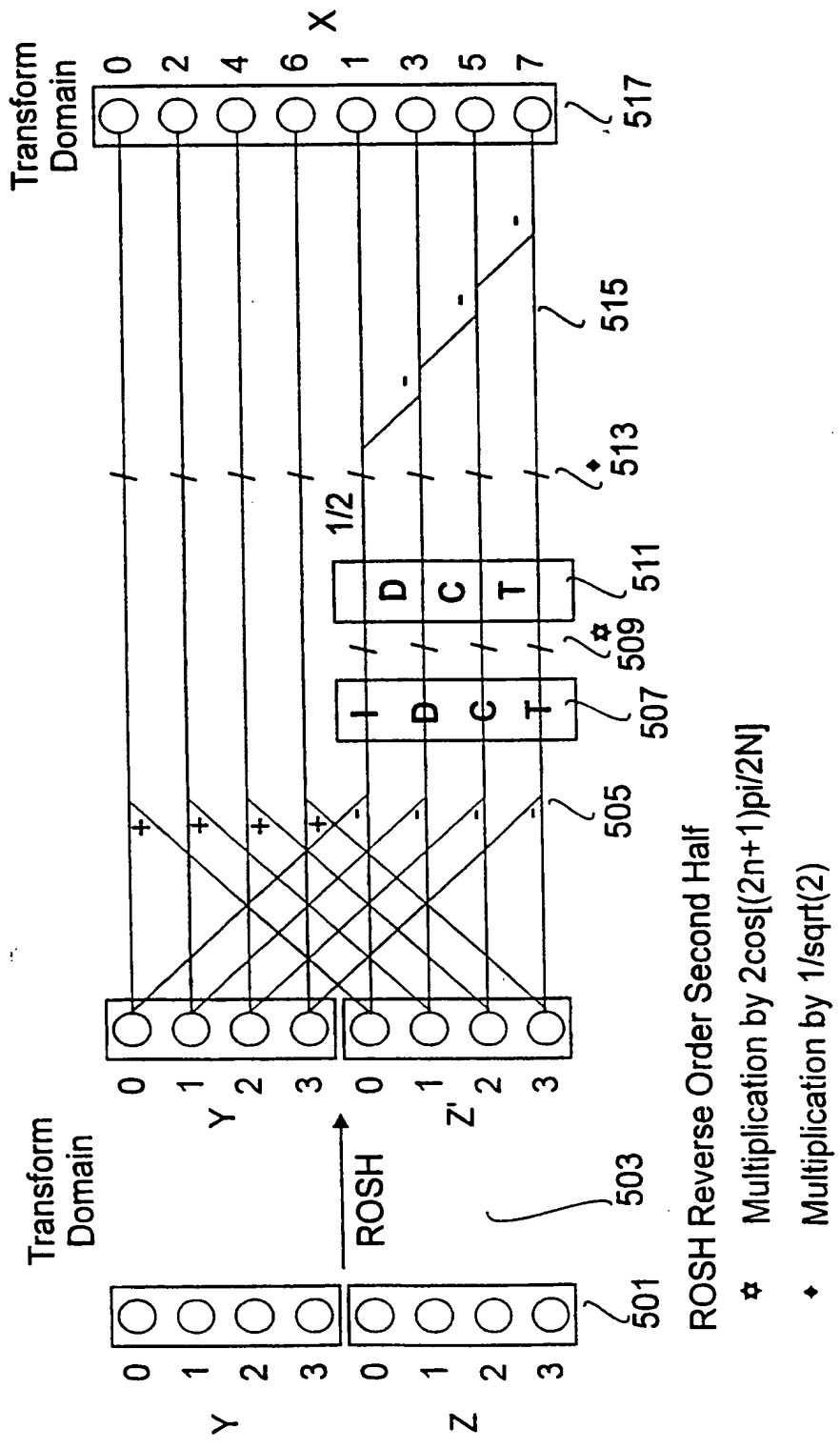


Fig. 5